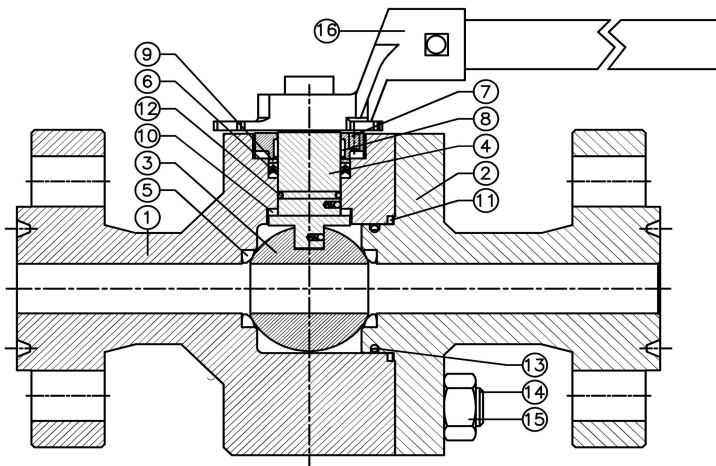


FEATURES & STANDARDS

- Industry leading warranty (24 months*)
- Solid Forged (#2500ASME).
- Triple independent low emission stem seals
- Blow-out proof stem
- Viton O-rings , AED O-rings (Also available)
- Standard seats** : PEEK (2500 ASME); DEVLON
- Standard seals** : VITON B , Graphite , PEEK
- Double anti-static protection
- Low torques, High volume with special wide seat design
- General Standards include: API-6D,BS-5351, ASME B16.34
- In-line maintenance capability
- Standard ISO 5211 mounting pads
- Low emission packing
- PEEK thrust-washer and DELRIN gland bearing prevents galling & prevents against deformation
- Extended stem (Available on request)
- Material compliance with NACE specification.
- 100% RT , PMI ,DP Certified
- Metal seated also available on particular application.
- High tensile ,special hardened studs and nuts



MANUFACTURING RANGE

(Available in full port)

2500 ASME		PN 420	
1/2"	•	1 1/4"	•
3/4"	•	1 1/2"	•
1"	•	2"	•

ITEM	DESCRIPTIONS	ITEM	DESCRIPTIONS	ITEM	DESCRIPTIONS
1	BODY	8	GLAND BEARING	15	NUT
2	END CONNECTOR	9	SPACER	16	LEVER
3	BALL	10	STEM TRUST WASHER	17	STOPPER
4	STEM	11	BODY SEAL	18	ALLEN BOLT
5	SEAT	12	STEM 'O' RING	19	TAG PLATE
6	STEM SEAL	13	BODY 'O' RING	20	
7	GLAND	14	STUD	21	

NOTE: Drawings are representative, please contact Sankey Controls for specific and current PDF drawings.
 *Sankey limited warranty of 24 months from date of shipment or 18 months from the date of start-up.
 ** Other materials available upon request.

info@sankeycontrols.com
www.sankeycontrols.com