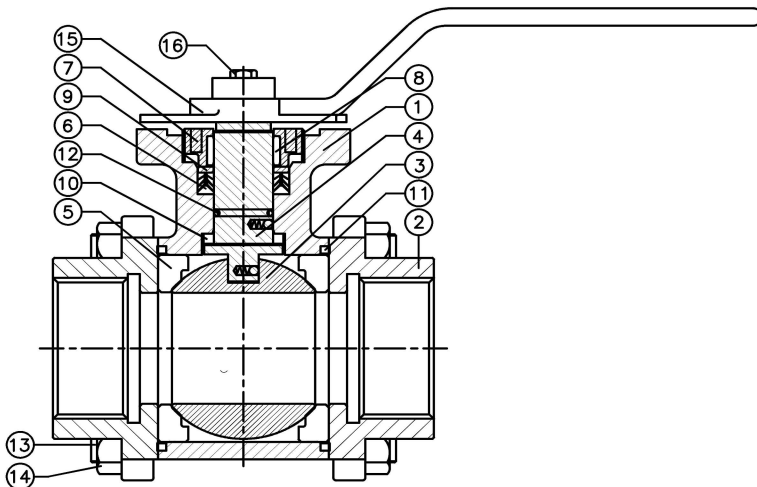




FEATURES & STANDARDS

- Industry leading warranty (24 months*)
- Standard Cast (400ASME).
- Triple independent low emission stem seals
- Blow-out proof stem
- Viton O-rings , AED O-rings (Also available)
- Standard seats** : R-PTFE (400 ASME); Delrin
- Standard seals** : VITON B , Graphite , PTFE
- Double anti-static protection
- Low torques, High volume with special wide seat design
- General Standards include: BS-5351, ASME B16.34
- Fire safe design (API-607)
- In-line maintenance capability
- Standard ISO 5211 mounting pads
- Cavity fillers available
- Available with different combination ends (i.e Screwed / Socket weld /Butt weld)
- Low emission packing
- GFT thrust-washer and DELRIN gland bearing prevents galling & prevents against deformation
- Extended stem (Available on request)
- Material compliance with NACE specification.



MANUFACTURING RANGE

(Available in full port)

400 ASME
PN 70

1/2"	•	1 1/4"	•
3/4"	•	1 1/2"	•
1"	•	2"	•

ITEM	DESCRIPTIONS	ITEM	DESCRIPTIONS	ITEM	DESCRIPTIONS
1	BODY	8	GLAND BEARING	15	LEVER
2	END CONNECTOR	9	SPACER	16	STOPPER
3	BALL	10	STEM TRUST WASHER	17	ALLEN BOLT
4	STEM	11	BODY SEAL	18	TAG PLATE
5	SEAT	12	STEM 'O' RING	19	
6	STEM SEAL	13	STUD	20	
7	GLAND	14	NUT	21	

NOTE: Drawings are representative, please contact Sankey Controls for specific and current PDF drawings.
 *Sankey limited warranty of 24 months from date of shipment or 18 months from the date of start-up.
 ** Other materials available upon request.