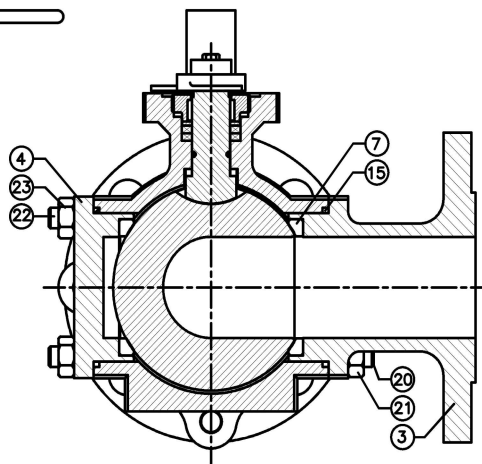
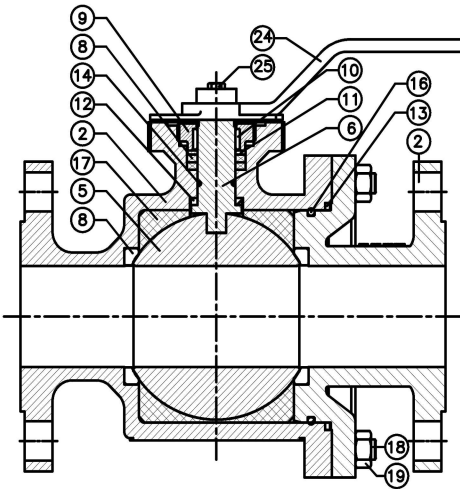


### FEATURES & STANDARDS



- Industry leading warranty (24 months\*)
- Standard Cast (150 – 300ASME).
- Triple independent low emission stem seals
- Valve stem rotation independent of gland nut ensuring full integrity of stem seal thus long life
- Blow-out proof stem
- AED O-rings (anti-explosive decompression)
- Standard seats\*\* : PTFE (150 – 300 ASME)
- Standard seals\*\* : VITON B , Graphite , PTFE
- Double anti-static protection
- 4 seat design to ensure, uniform torque and leakage class
- General Standards include:ISO 17292, BS-5351, ASME B16.34
- Sour service: NACE MR0175 & ISO 15156
- 3 Way, T-port ,4 seat configuration ,Selector design
- Gear operator and lifting lugs – 4” bore and larger
- Standard ISO 5211 mounting pads
- Cavity fillers available
- Low emission packing
- GFT thrust-washer and DELRIN gland bearing prevents galling & prevents against deformation



### MANUFACTURING RANGE

(Available in full port)

	150 ASME PN 25	300ASME PN 50
1/2"	•	•
3/4"	•	•
1"	•	•
1 1/4"	•	•
1 1/2"	•	•
2"	•	•
2 1/2"	•	•
3"	•	•
4"	•	•
6"	•	•

ITEM	DESCRIPTIONS
1	BODY
2	END CONNECTOR
3	END CONNECTOR
4	END CONNECTOR
5	BALL
6	STEM
7	SEAT

ITEM	DESCRIPTIONS
8	STEM SEAL
9	GLAND
10	GLAND BEARING
11	SPACER
12	STEM THRUST WASHER
13	BODY SEAL
14	STEM O-RING

ITEM	DESCRIPTIONS
15	BODY SEAL
16	END CONN. O-RING
17	CAVITY
18	STUD
19	NUT
20	LEVER
21	

**NOTE:** Gear operator and lifting lugs supplied on sizes 6” and larger.  
 Drawings are representative, please contact Sankey Controls for specific and current PDF drawings.  
 \*Sankey limited warranty of 24 months from date of shipment or 18 months from the date of start-up.  
 \*\* Other materials available upon request.

[info@sankeycontrols.com](mailto:info@sankeycontrols.com)  
[www.sankeycontrols.com](http://www.sankeycontrols.com)