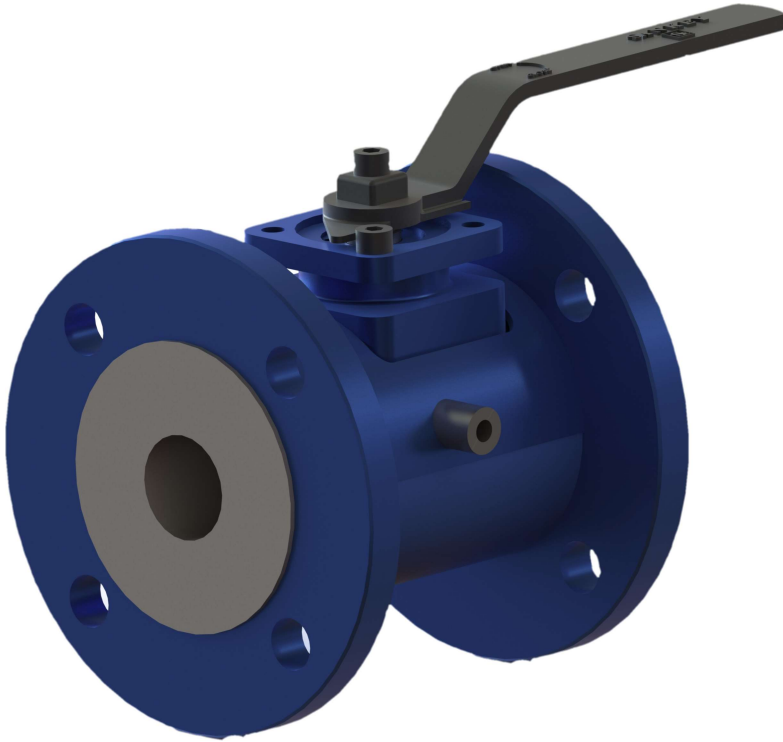
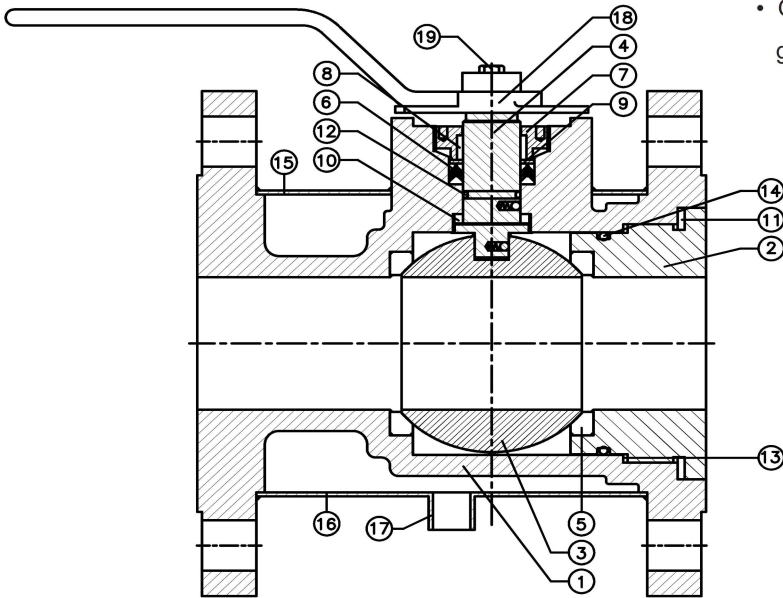


### FEATURES & STANDARDS



- Industry leading warranty (24 months\*)
- Standard Cast (150 – 300ASME).
- Triple independent low emission stem seals
- Valve stem rotation independent of gland nut ensuring full integrity of stem seal thus long life
- Blow-out proof stem
- AED O-rings (anti-explosive decompression)
- Standard seats\*\* : CFT (150 – 300 ASME), PEEK
- Standard seals\*\* : PEEK , Graphite , PTFE
- Double anti-static protection
- Low torques with special wide seat design
- General Standards include: BS-5351, ASME B16.34
- Metal seated available
- Sour service: NACE MR0175 & ISO 15156
- Fabricated ,Two piece jacket welded to body
- Gear operator and lifting lugs – 4” bore and larger
- Standard ISO 5211 mounting pads
- Cavity fillers available
- Low emission packing
- GFT thrust-washer and DELRIN gland bearing prevents galling & prevents against deformation



### MANUFACTURING RANGE

(Available in full port)

Valve Bore / Port	Valve Flange As Per	150 ASME PN 25	300ASME PN 50
1" x 2"		•	•
1 1/2" x 2 1/2"		•	•
2" x 3"		•	•
2 1/2" x 4"		•	•
3" x 4"		•	•
4" x 6"		•	•
6" x 10"		•	•
8" x 12"		•	•

ITEM	DESCRIPTIONS
1	BODY
2	INSERT
3	BALL
4	STEM
5	SEAT
6	STEM SEAL
7	GLAND

ITEM	DESCRIPTIONS
8	GLAND BEARING
9	SPACER
10	STEM TRUST WASHER
11	BODY SEAL
12	STEM 'O' RING
13	INSERT SEAL
14	INSERT 'O' RING

ITEM	DESCRIPTIONS
15	JACKET TOP
16	JACKET BOTTOM
17	NOZZLE
18	LEVER
19	STOPPER
20	ALLEN BOLT
21	TAG PLATE

**NOTE:** Gear operator and lifting lugs supplied on sizes 6” and larger.  
 Drawings are representative, please contact Sankey Controls for specific and current PDF drawings.  
 \*Sankey limited warranty of 24 months from date of shipment or 18 months from the date of start-up.  
 \*\* Other materials available upon request.

[info@sankeycontrols.com](mailto:info@sankeycontrols.com)  
[www.sankeycontrols.com](http://www.sankeycontrols.com)